

GoldStar AT300

Battery Operated Tracker

Installation Guide

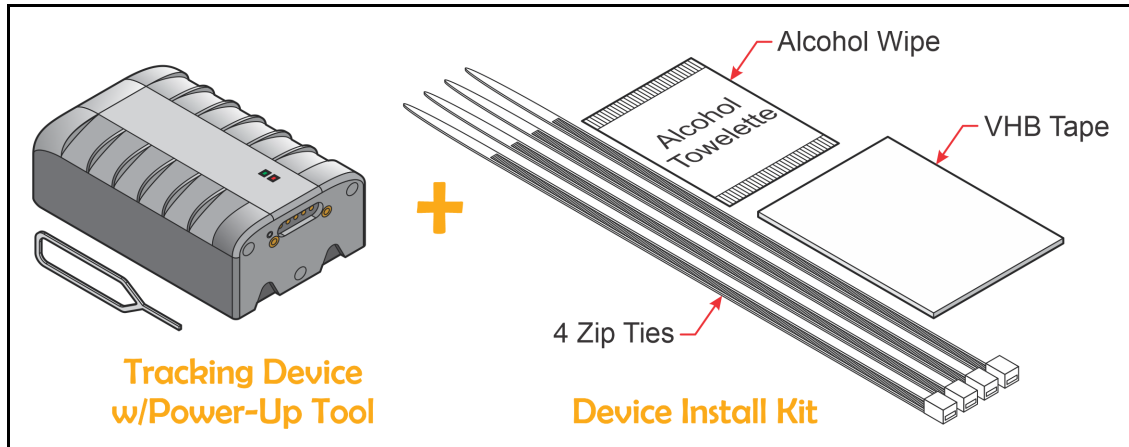


STOP! READ THIS ENTIRE MANUAL BEFORE PROCEEDING WITH THE INSTALLATION OF THIS DEVICE.

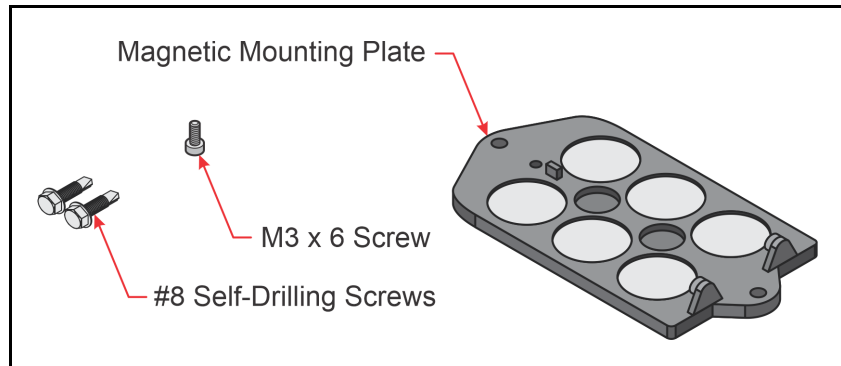
Introduction

This installation guide explains the procedure for covertly installing and operating the ATS300 Battery Operated Tracking device (hereafter referred to as “the Tracking Device”) in a vehicle.

Tracking Device Kit Contents (Spireon Supplied)



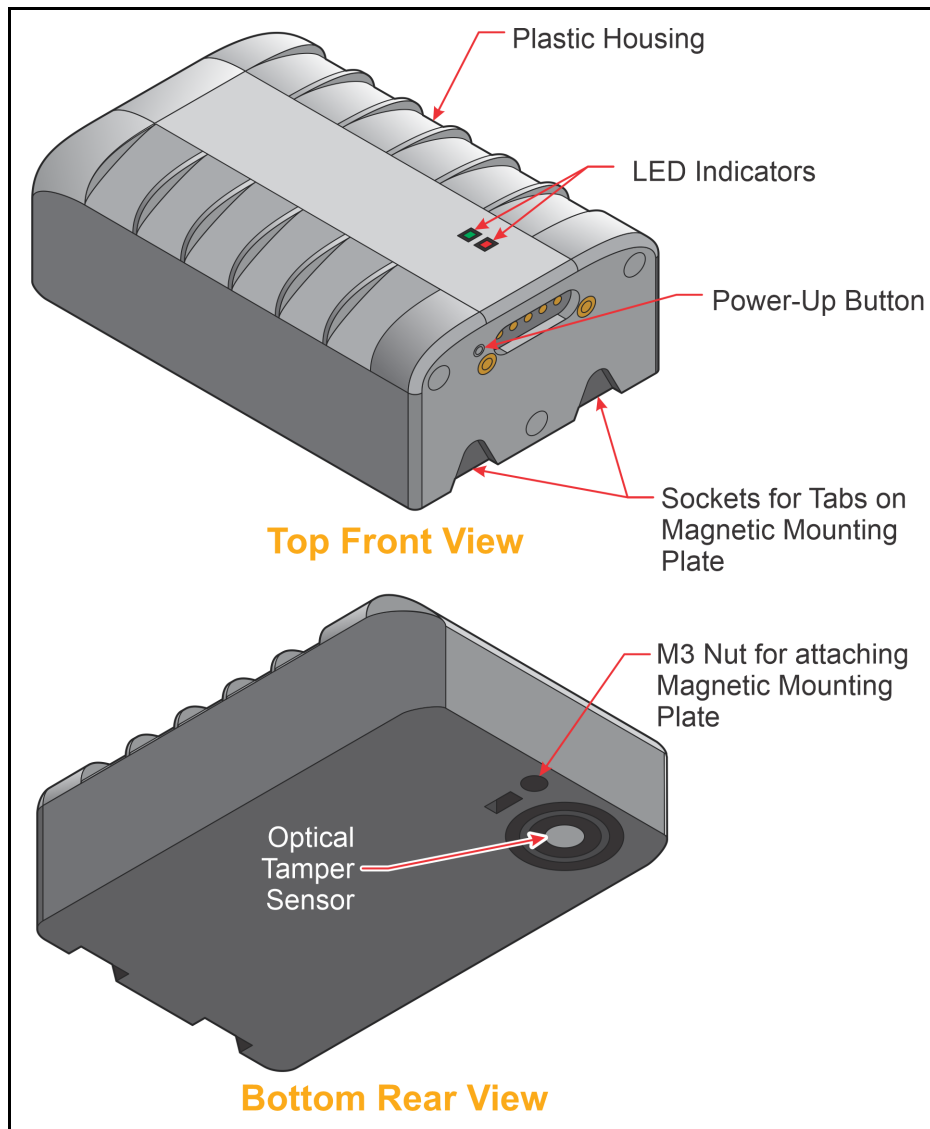
Magnetic Mounting Plate Kit Contents (Optional)



Required Tools & Materials (Customer Supplied)

- Drill w/assorted driver bits
- Flush Cutters
- Alcohol wipes

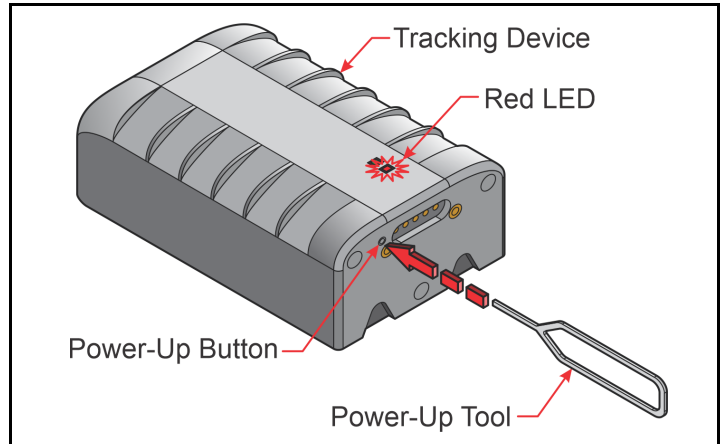
Major Components of the Tracking Device



Installation Procedure

Powering Up the Tracking Device

1. Locate the Power-up Button on the left side of the flat face of the Tracking Device.
2. Using the Power-Up Tool (supplied in the Tracking Device Kit) press and hold the Power-up Button for 5 seconds to turn on the Tracking Device.
3. The red LED will flash for 5 seconds.



LEDs

The ATS300 has two LED indicators:

LED Color	Indication	LED Action
Red	GPS acquisition status	Flashes while acquiring GPS Solid after GPS lock acquired
Green	Cellular connection status	Flashes while acquiring signal Solid after signal acquired

To preserve battery life, both LEDs will turn off once cell and GPS connections have been established and the Tracking Device sends in the first event.



Note: After the initial power-up sequence, the Tracking Device will enter sleep mode to preserve battery life. To wake the Tracking Device, press and hold the Power-up Button again.

Mounting Locations

The Tracking Device should be mounted as high in the vehicle as possible with the LEDs upwards towards the roof of the vehicle.

Some examples include:

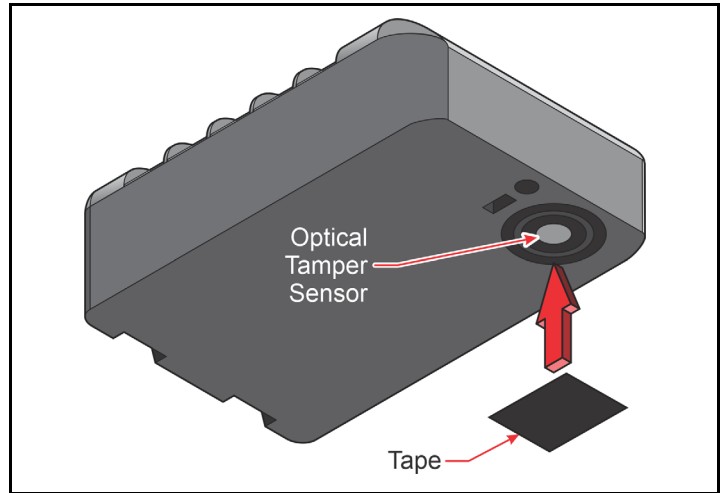
- Behind the knee bolster
- Behind the glove box
- Under the rear deck, above the metal support structure



Caution! Ensure the Tracking Device is not mounted below any metal obstructions. The Tracking Device should be mounted away from any moving parts (steering shaft, tilt column, pedals).

Optical Tamper Sensor

The Tracking Device includes an optical tamper sensor located on the bottom surface of the device. Ensure the mounting location allows the sensor to be covered when the Tracking Device is installed. If location does not allow sensor to be covered, place black tape over sensor to prevent invalid tamper alerts.

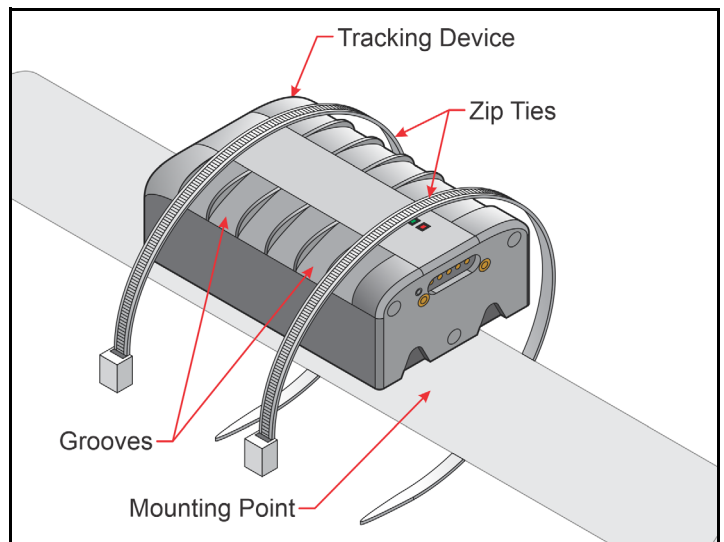


Installation Options

You can mount the Tracking Device in one of four ways:

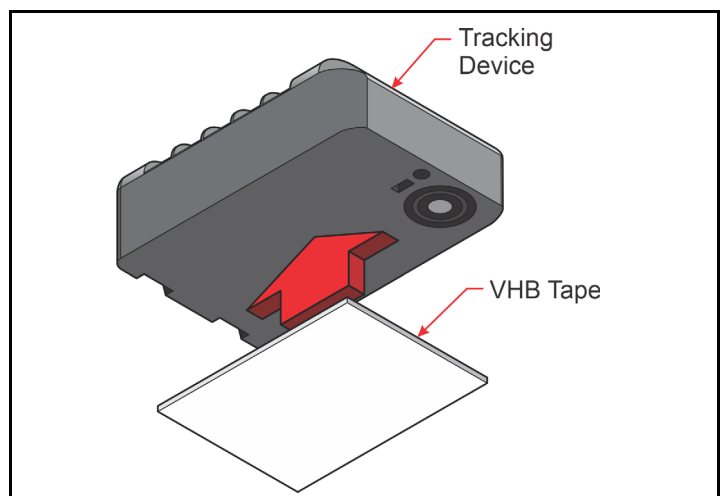
1. Zip Tie Mounting

- A. Select a mounting point that you can wrap zip ties around.
- B. Wrap the zip ties (supplied in the Device Install Kit) around the Tracking Device and the mounting point, making sure the zip ties fit down into the grooves on the top of the Tracking Device.



2. VHB Adhesive Mounting

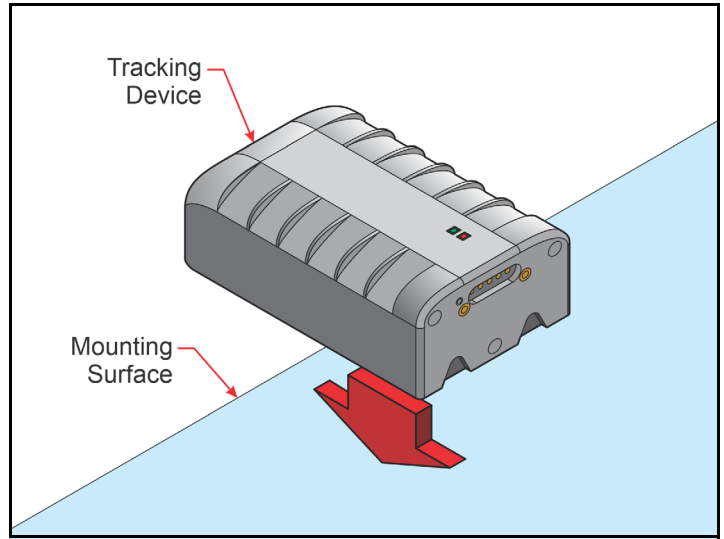
- A. Using alcohol wipes, clean both the flat bottom of the Tracking Device and the surface on which you will mount it before applying VHB tape.
- B. Apply VHB tape (supplied in the Device Install Kit) to the flat bottom surface of the Tracking Device.



- C. Press the Tracking Device firmly against a clean, flat surface in the vehicle.
- D. Use zip ties to ensure the Tracking Device remains securely mounted.

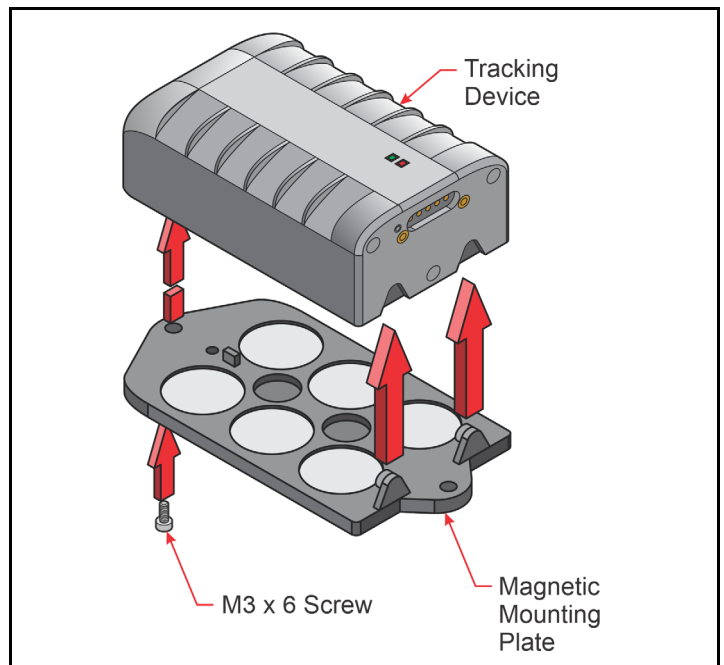


Caution! Never use VHB alone. Always use zip ties to secure the Tracking Device.

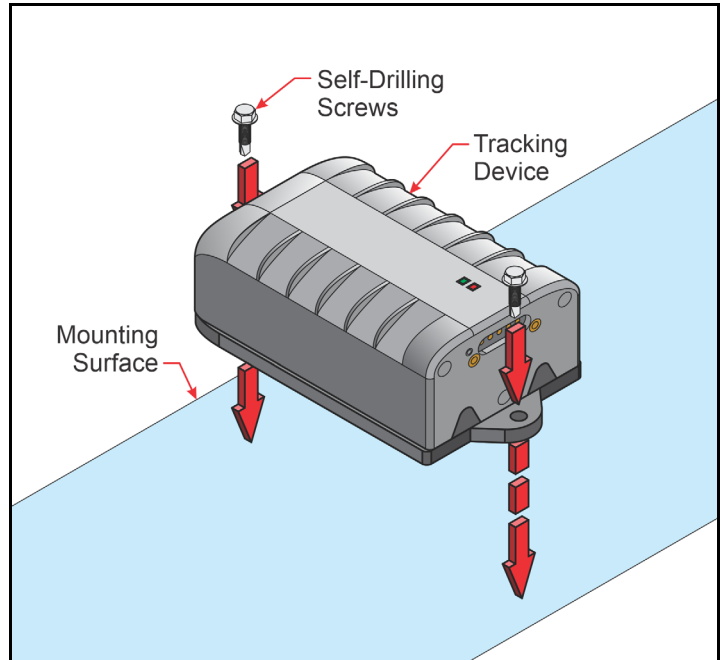


3. Screw Mounting (requires optional Mounting Plate)

- A. Using the M3 x 6 screw (supplied in the Magnetic Mounting Plate Kit), attach the Magnetic Mounting Plate to the bottom of the Tracking Device.

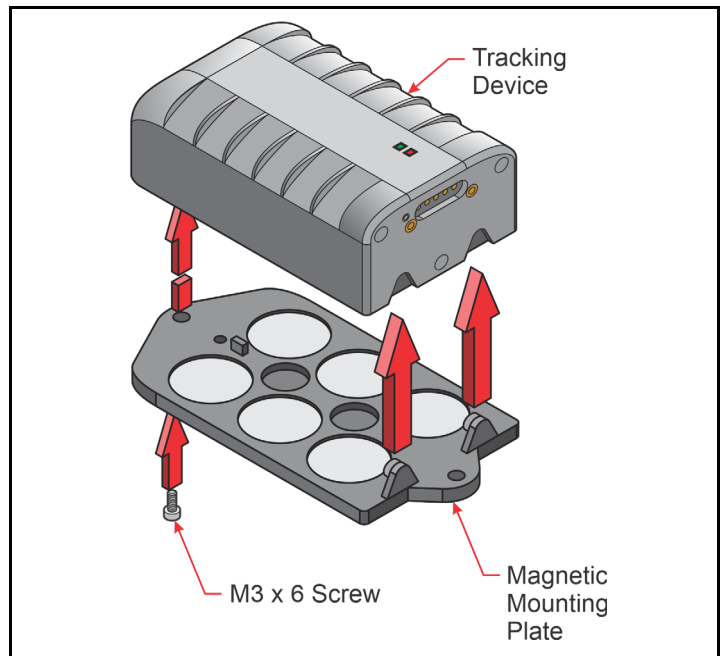


- B. Use the 2 self-drilling screws (supplied in the Magnetic Mounting Plate Kit) to mount the Tracking Device to a rigid surface.



4. Magnetic Mounting (requires optional Mounting Plate)

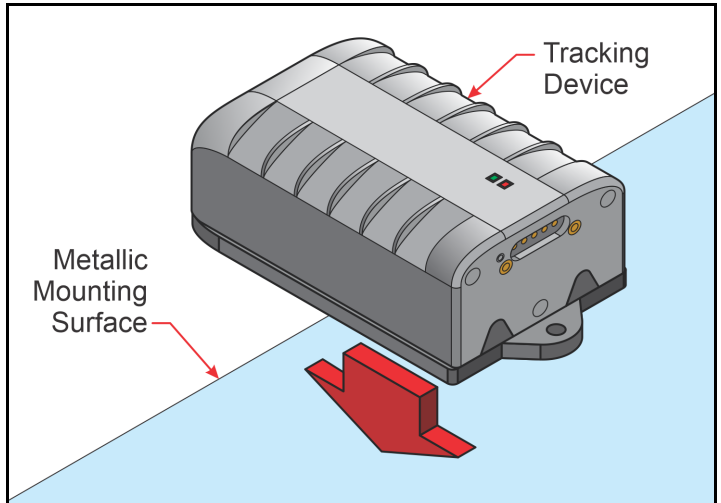
- A. Using the M3 x 6 screw (supplied in the Magnetic Mounting Plate Kit), attach the Magnetic Mounting Plate to the bottom of the Tracking Device.



B. Attach the Tracking Device to a suitable metal surface within the vehicle.



Caution! Ensure Magnetic Mounting Plate adheres securely to the surface.



Device Behavior - Mode Definition

The Tracking Device has three operational modes:

Mode	Activation	Purpose
Quick Track	Automatically activated when the Tracking Device powers on	Quickly identifies where the user lives and works
Daily Track	Automatically activated after the Tracking Device establishes a geographic profile of home and work	Automatically reports location of the Tracking Device about once a day
Recovery Track	Manually activated by user	Provides the user with live trip tracking and locate commands



Caution! Recovery Track will severely impact battery life of the Tracking Device. Only use Recovery Track during live repossession scenarios.

This page has been left blank intentionally.



Please contact customer service at:
Phone: [1-877-563-0012](tel:1-877-563-0012) | Email: customer_support@spireon.com